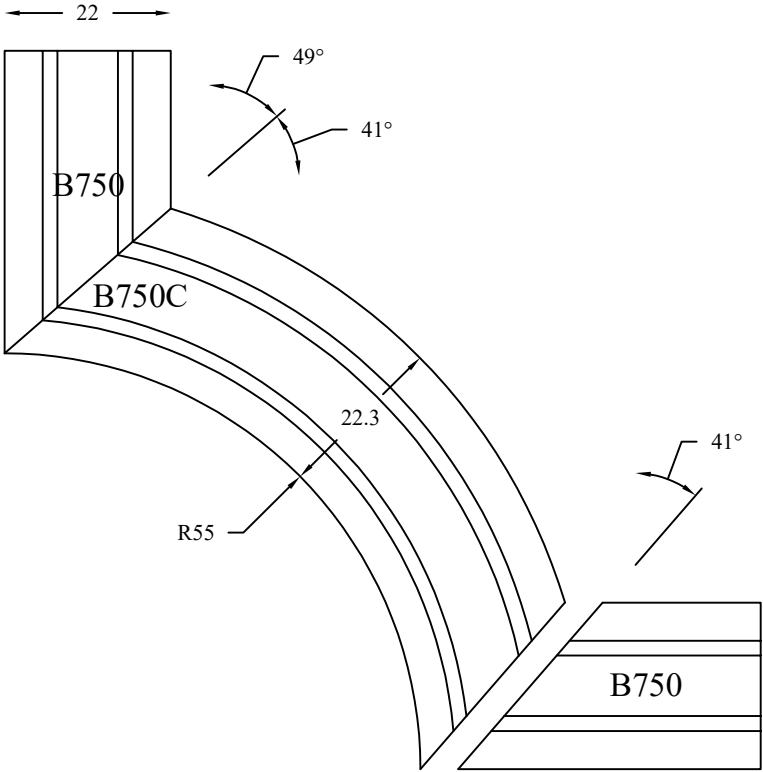
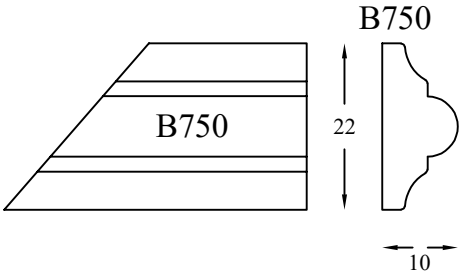


B 750C



Fitment Notes:

- 1. Curve supplied pre-cut at 49° angle
- 2. Straight needs to be cut at 41° angle
- 3. Curve comes at 22.3mm width in order to match the profile of the straight.



Straight needs to be cut at 41° angle