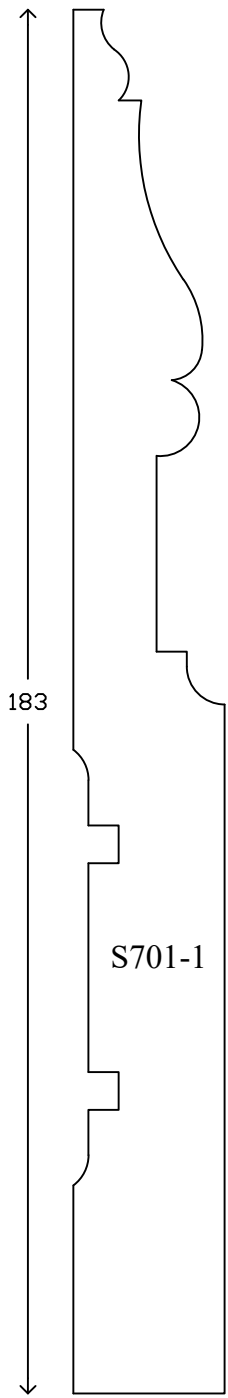


S701

241

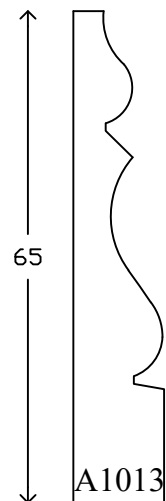
← 20 →



S701-1

183

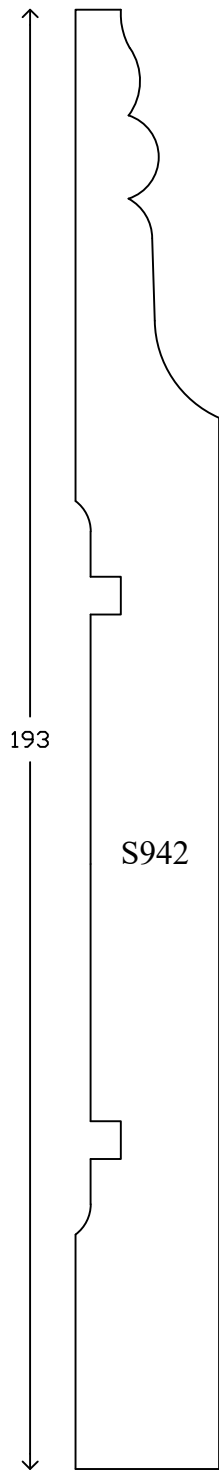
← 20 →



A1013

65

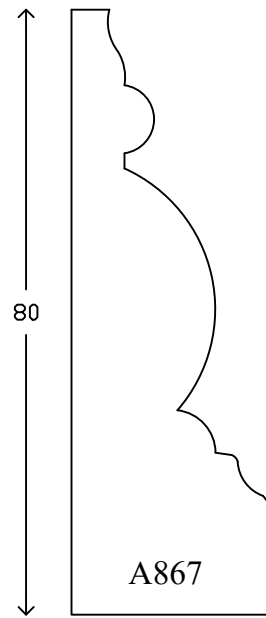
← 12 →



S942

193

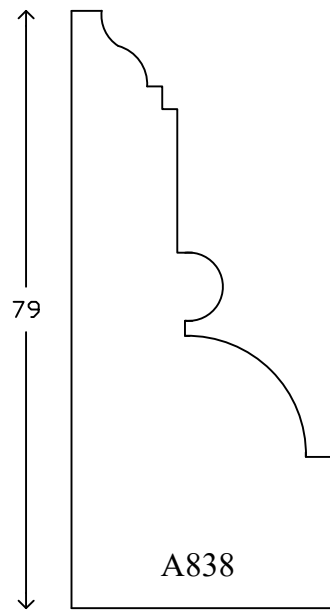
← 19 →



A867

80

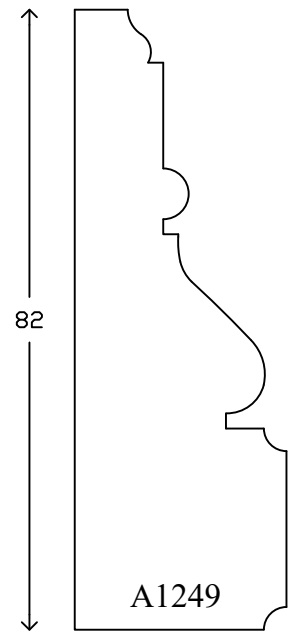
← 26 →



A838

79

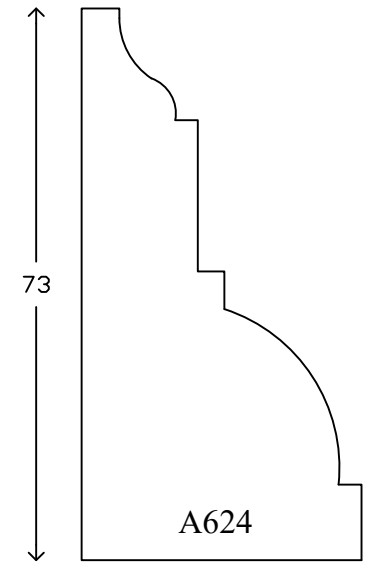
← 35 →



A1249

82

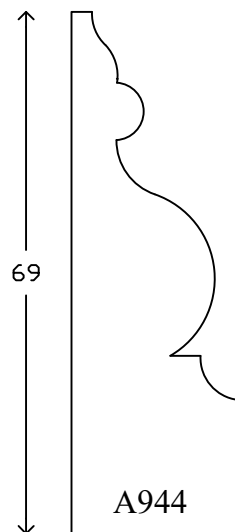
← 28 →



A624

73

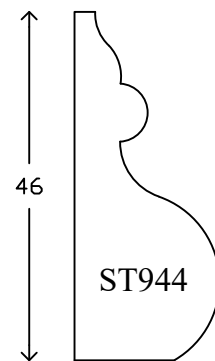
← 37 →



A944

69

← 22 →



ST944

46

← 19 →